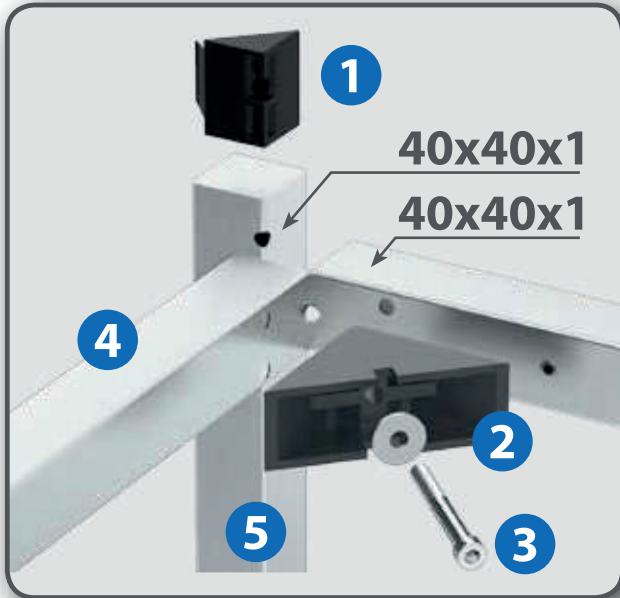


GAMBE E TELAI IN TUBO 40x40x1
ROHRBEINE UND ROHRGESTELLE 40x40x1
LEGS AND FRAMES TUBULAR 40x40x1
PIEDS ET CHÂSSIS TUBE 40X40X1



- ① Particolare interno filettato Internal threaded element
- ② Angolare di unione Angular joint
- ③ Vite di fissaggio Screw fastening
- ④ Telaio tubo 40x40x1 Square frame 40x40x1
- ⑤ Gamba tubo 40x40x1 Square leg 40x40x1
- ⑥ Piedino livellatore Leveling foot

- ① Innengewinde Pièce intérieure filetée
- ② Winkel Legierung Equerre de fixation
- ③ Befestigungsschraube Vis de fixation
- ④ Rohrgestell 40x40x1 Châssis carré 40x40x1
- ⑤ Viereckiges Bein 40x40x1 Pied carré 40x40x1
- ⑥ Füßchen zur Regulierung Pied réglable

